

KOHLER®

Honesty®

Single-handle Bathroom Faucet K-99760-4



Features:

- Single lever handle allows for both volume and temperature control.
- Temperature memory allows faucet to be turned on and off at the temperature set during prior usage.
- Red/blue indexing on handle.
- 4-3/16" (107 mm) spout reach.
- 1.2 gpm maximum flow rate at 60 psi.
- Includes metal pop-up drain with 1-1/4" tailpiece.
- KOHLER® ceramic disc valves exceed industry longevity standards for a lifetime of durable performance.
- Coordinates with Honesty faucets and showering components to complete your bathroom.

Material:

- Brass construction..
- KOHLER® finishes resist corrosion and tarnishing.

Installation:

- For single-hole installation.
- Pre-attached flexible supply lines simplify installation



Available Finishes:

- CP - Polished Chrome
- BL - Matte Black



ADA

CSA B651

OBC

Codes / Standards:

ASME A112.18.1/CSA B125.1
NSF/ANSI 61
NSF/ANSI 372
All applicable US Federal and
State material regulations
EPA WaterSense®
California Energy Commission (CEC)
DOE - Energy Policy Act 1992
ICC/ANSI A117.1



ONTARIO (Head Office)
1149 Pioneer Road
Burlington, Ontario
Canada L7M 1K5

ALBERTA
7151 44 Street SE.
Calgary, Alberta
Canada T2C 4E8

For more information, visit us at www.4willis.com or e-mail us at info@4willis.com.

1-800-4KOHLER (1-800-456-4537) Kohler Co. reserves the right to make revisions without notice to product specifications.
For the most current Specification Sheet, go to www.kohler.com. CA-Willis



Honesty® Single-handle Bathroom Faucet K-99760-4

KOHLER® Faucet Limited Warranty

See website for detailed warranty information.

Faucet Technical Information:

Flow rate: 1.2 gal/min (4.5 l/min)

Pressure: 60 psi (4.1 bar)

Valve body: Plastic

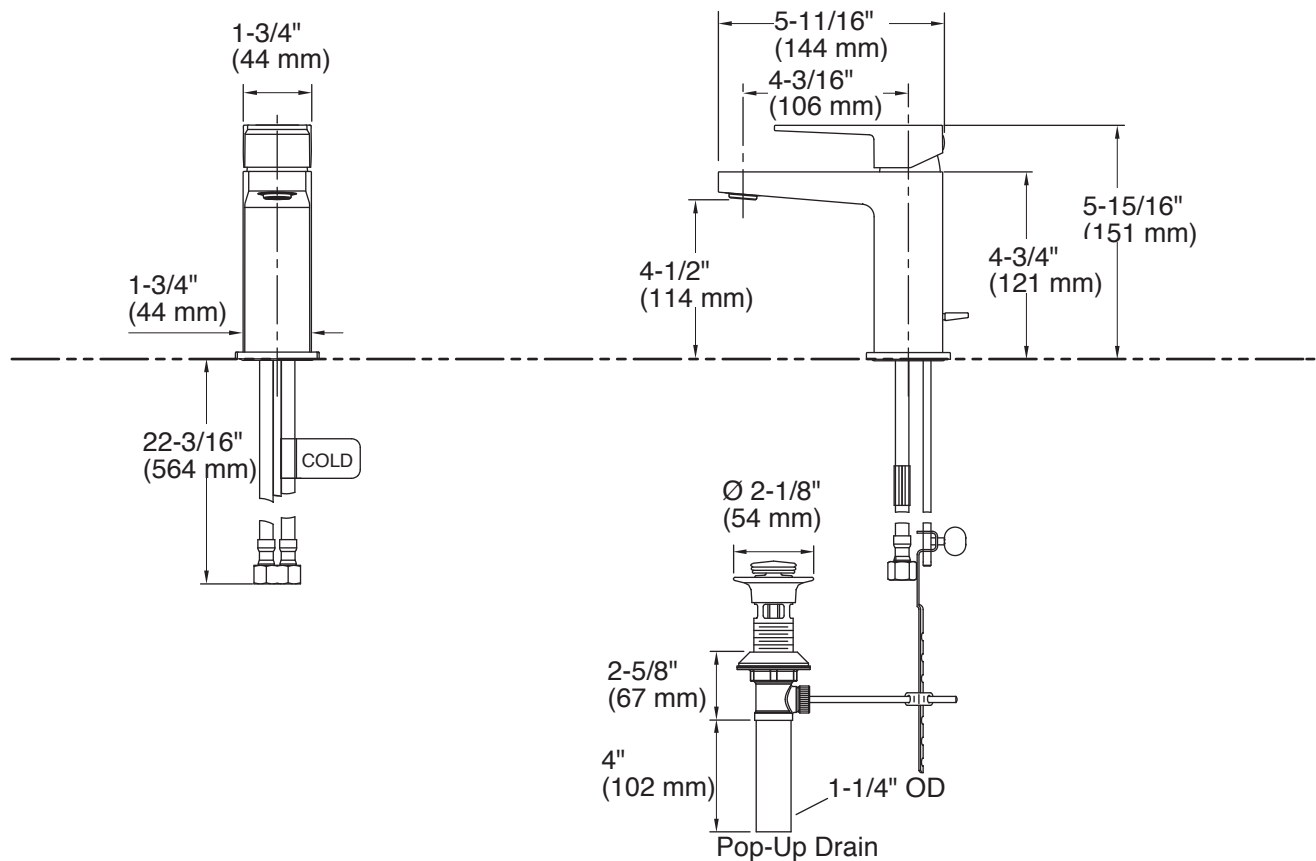
Drain included: Yes

Drain with overflow: Yes

Drain tailpiece included: Yes

Notes:

Install this product according to the installation instructions. ADA, CSA B651 compliant when installed to the specific requirements of these regulations.



ONTARIO (Head Office)
1149 Pioneer Road
Burlington, Ontario
Canada L7M 1K5

ALBERTA
7151 44 Street SE.
Calgary, Alberta
Canada T2C 4E8

For more information, visit us at www.4willis.com or e-mail us at info@4willis.com.

1-800-4KOHLER (1-800-456-4537) Kohler Co. reserves the right to make revisions without notice to product specifications.

For the most current Specification Sheet, go to www.kohler.com. CA-Willis