



Latitude®

25" x 22" utility sink with stand

995-0



Features:

- Deep single bowl.
- Unique quarter-deck design provides shelf space for storage and cleaning.
- Surface texture maintains superior stain and scratch resistance.
- Includes a freestanding metal stand for added storage and versatility.
- 36" comfortable working height.
- 13"-deep single bowl.
- Includes 7400 Sink Strainer

Material:

- Made from solid Vikrell® material for strength, durability and lasting beauty.



Installation:

- Self-standing

Included Components

- 7400 Strainer(s)



Available Finishes:

0 - White



Codes / Standards:

CSA B45.5/IAPMO Z124

ASTM E162

ASTM E662

Warranty – Bathing Fixtures (and) Kitchen and Utility Sinks Made of Vikrell® Solid Material

See website for detailed warranty information.



ONTARIO (Head Office)
1149 Pioneer Road
Burlington, Ontario
Canada L7M 1K5

ALBERTA
7151 44 Street SE.
Calgary, Alberta
Canada T2C 4E8

For more information, visit us at www.4willis.com or e-mail us at info@4willis.com.

1-800-4KOHLER (1-800-456-4537) Kohler Co. reserves the right to make revisions without notice to product specifications.

For the most current Specification Sheet, go to www.kohler.com. CA-Willis

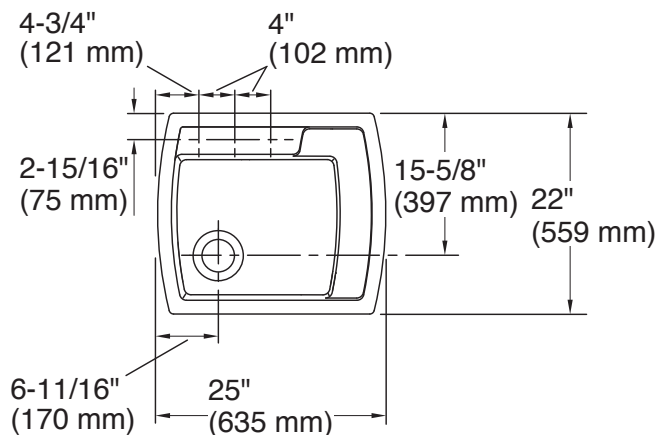
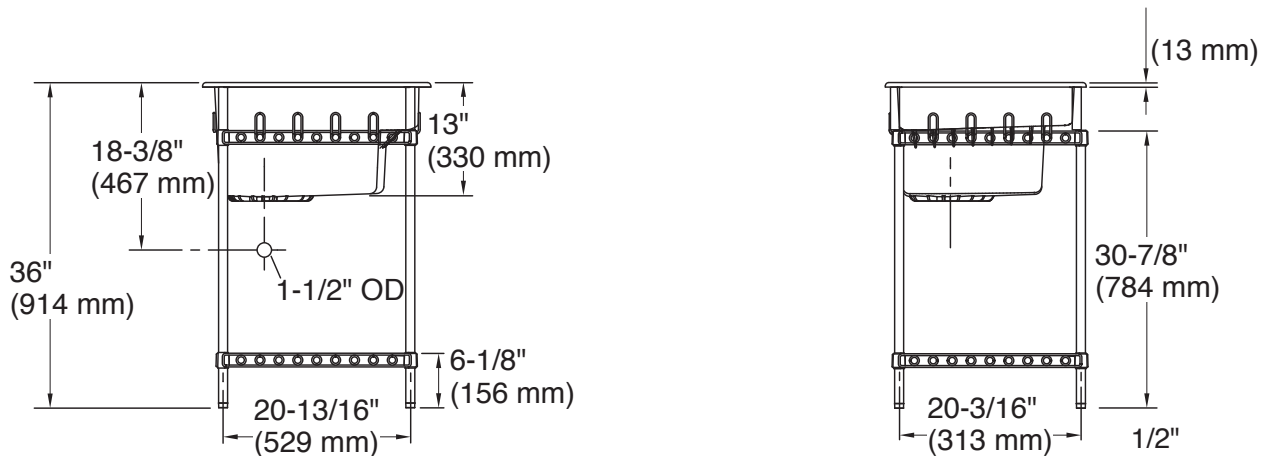
STERLING®

A KOHLER COMPANY

Latitude®

25" x 22" utility sink with stand

995-0



Technical Information:

Bowl Configuration: Single

Installation: Freestanding

Drain hole: 3-1/2"

Template: 1148620-7, required, included

Bowl area (Only):

Length: 22"

Width: 16"

Bowl depth: 12-1/4"

Water depth: 12-1/4"

Notes:

Install this product according to the installation instructions.



ONTARIO (Head Office)
1149 Pioneer Road
Burlington, Ontario
Canada L7M 1K5

ALBERTA
7151 44 Street SE.
Calgary, Alberta
Canada T2C 4E8

For more information, visit us at www.4willis.com or e-mail us at info@4willis.com.

1-800-4KOHLER (1-800-456-4537) Kohler Co. reserves the right to make revisions without notice to product specifications.

For the most current Specification Sheet, go to www.kohler.com. CA-Willis