

# DUPONT™ CORIAN® FARM SINK (MODEL 690) INSTALLATION

## INTRODUCTION

This bulletin addresses installation of the DuPont™ Corian® Farm Sink (model 690).

## OVERVIEW

The DuPont™ Corian® Farm Sink requires cabinet preparation and support for a successful installation. The recommended installation is a “soft” seam undermount. In addition, the narrow strip of countertop behind the sink needs proper support during fabrication, transportation, and installation.

## A. TOOLS REQUIRED

- Safety glasses
- Tape measure
- Level
- Jig saw
- 2" (51 mm) spring clamps
- Caulk gun
- 36" (914 mm) bar clamps (3)

## B. CONSUMABLE SUPPLIES REQUIRED

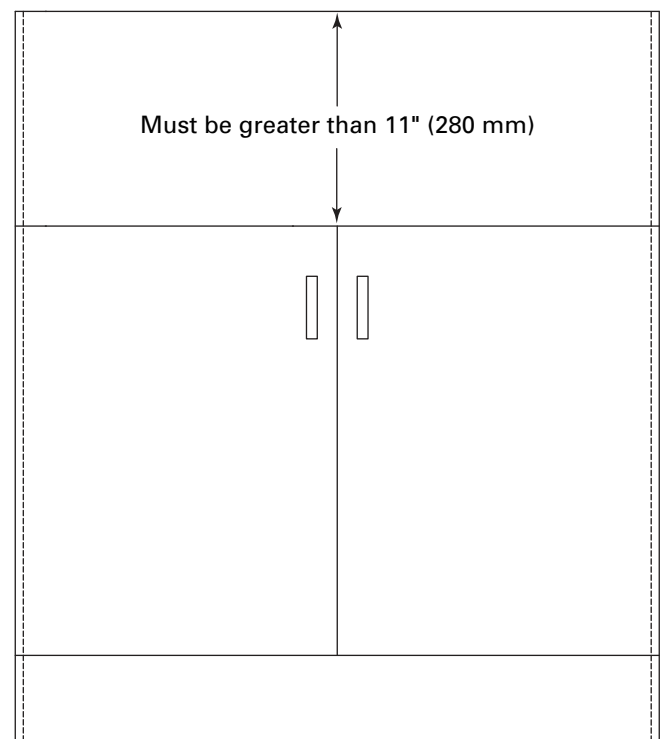
- Masking tape
- Construction adhesive
- Silicone sealant
- 1" x 4" x 36" (25 x 102 x 914 mm) pine board<sup>1</sup>
- 2" x 4" x 36" (51 x 102 x 914 mm) lumber (2)
- 12" x 20" x 1/2" (305 x 508 x 12 mm) plywood (2)
- 1" (25 mm) drywall screws (16)
- 2" (51 mm) drywall screws (18)
- Template sheet (cardboard or heavy paper)

## C. PREPARATION:

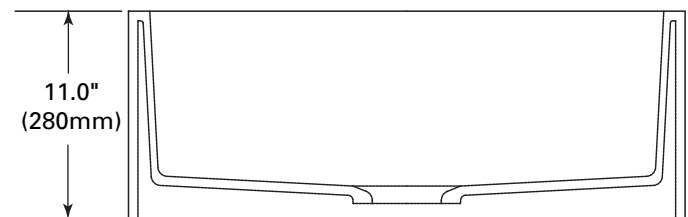
### C.1. Sink Fit

The DuPont™ Corian® Farm Sink is designed to mount under the countertop in an “Apron” type sink base cabinet. Verify that the cabinet apron height is greater than the

height of the Farm Sink apron. The sink base should be 33" (840 mm) or wider. Installing this sink in a 30" (760 mm) sink base will require extensive modification to the side walls and is not recommended.



“Apron” Type Sink Base Cabinet



Corian® Model 690 Farm Sink

Figure C-1

<sup>1</sup> Wood dimensions provided are nominal values. Actual values are smaller and should be measured wherever precise dimensions are required.

## C.2. Template

Set the sink front-face down on a sheet of appropriate template material. Trace the apron (front face) of the sink onto the template.

**Each sink is hand-finished and will have a slightly unique shape. Remove the sink and cut the template on the line.**

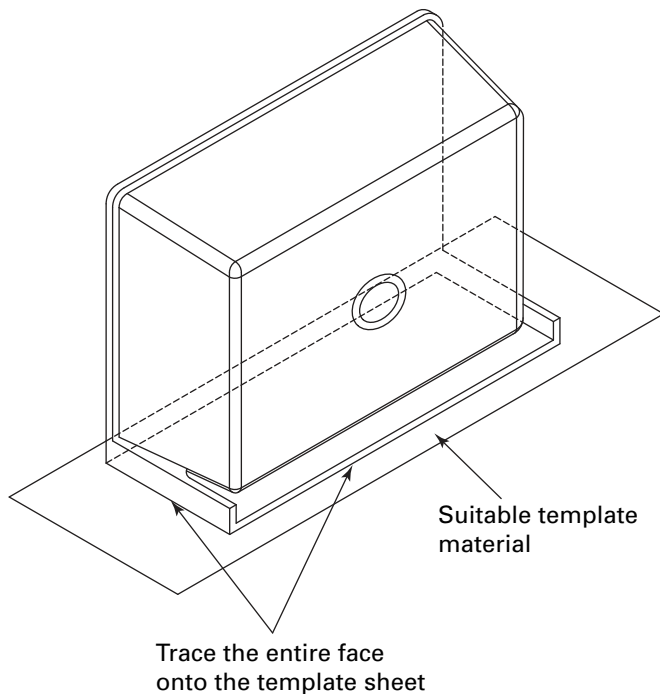


Figure C-2

## C.3. Cabinet work

Mask the front face of the cabinet where it will be cut. Use several widths of masking tape to protect the entire surface that will remain.

**Take care in measuring and cutting the cabinet. Any damage to the cabinet is excluded from the DuPont™ Corian® Residential Limited Warranty and is the responsibility of the installer.**

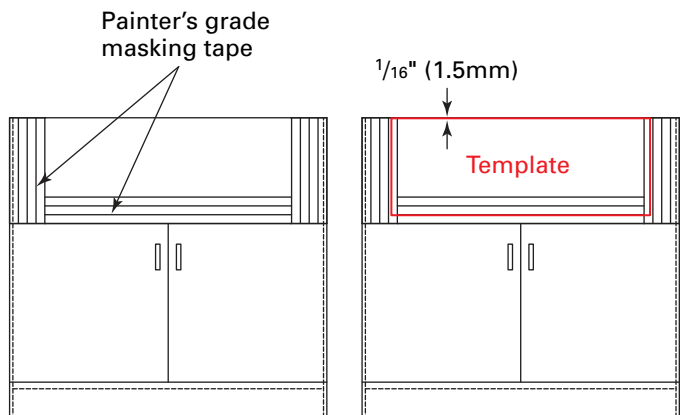


Figure C-3

Position the template on the cabinet face making sure it is centered. The top edge of the template should be  $\frac{1}{16}$ " (1.5 mm) below the top edge of the cabinet so that, when installed, the sink sits  $\frac{1}{16}$ " (1.5 mm) below the bottom surface of the countertop (including edge buildup where present).

**Farm sinks are often installed with the same edge buildup as the rest of the countertop. Make sure the extra thickness of the buildup is accounted for when making measurements.**

Trace the template on the face of the cabinet. Remove the template and cut the face of the cabinet on the template line. Be careful to not overcut. It is better to cut the opening too small than too big.

## C.4. Building a Cradle

The 690 Farm Sink is fairly heavy and needs to be properly supported. A simple way to do this is build a cradle from plywood and 2 x 4s.

Steps to completion:

1. Cut two pieces of  $\frac{1}{2}$ " (13 mm) thick plywood 12" x 20" (305 mm x 510 mm).
2. Mark and cut clearance notches for any cabinet hardware so that the plywood is flush to the top of the cabinet and as far forward as possible.
3. Using spring clamps, clamp the plywood pieces to the insides of the side walls.
4. Measure the distance between the insides of the plywood.
5. Cut two 2 x 4s and one 1 x 4 about  $\frac{1}{16}$ " (1.5 mm) shorter than the inside distance.

# DUPONT™ CORIAN® FARM SINK (MODEL 690) INSTALLATION

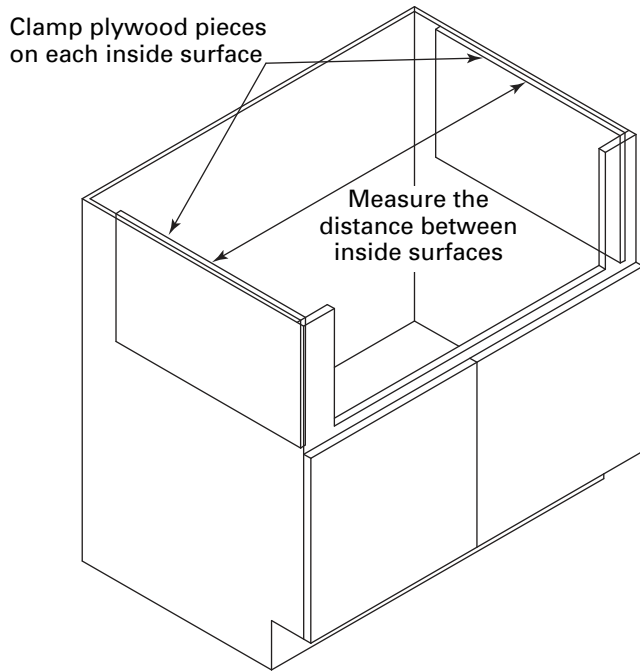


Figure C-4

Set the sink upside down on a flat table with a 1/16" (1.5 mm) spacer under the flange. This is to provide a gap for the silicone when installing the countertop.

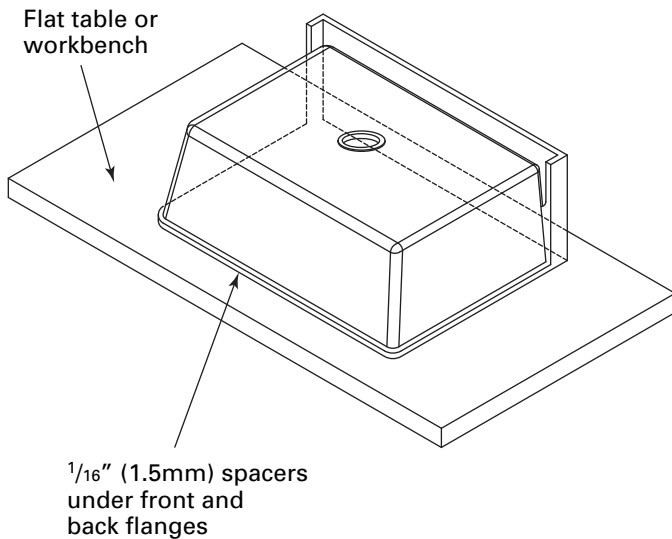


Figure C-5

Remove the plywood from the cabinet and place them on each side of the sink. Set the 2 x 4s on the bottom of the sink and clamp them to the plywood with bar clamps. Level the 2 x 4s and use the 2" (51 mm) drywall screws to assemble all 5 pieces as shown in Figures C-6 and C-7.

**The 2 x 4s should be placed as far apart as possible to allow access to the drain hardware. This is critical if a disposal will be installed.**

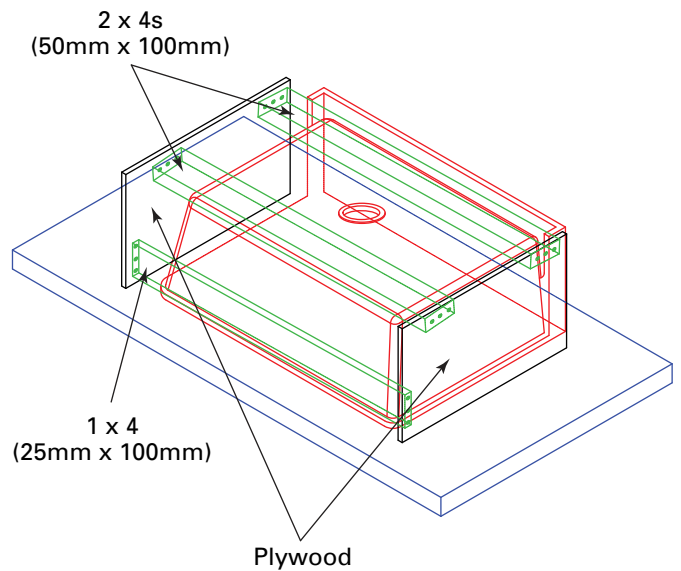


Figure C-6

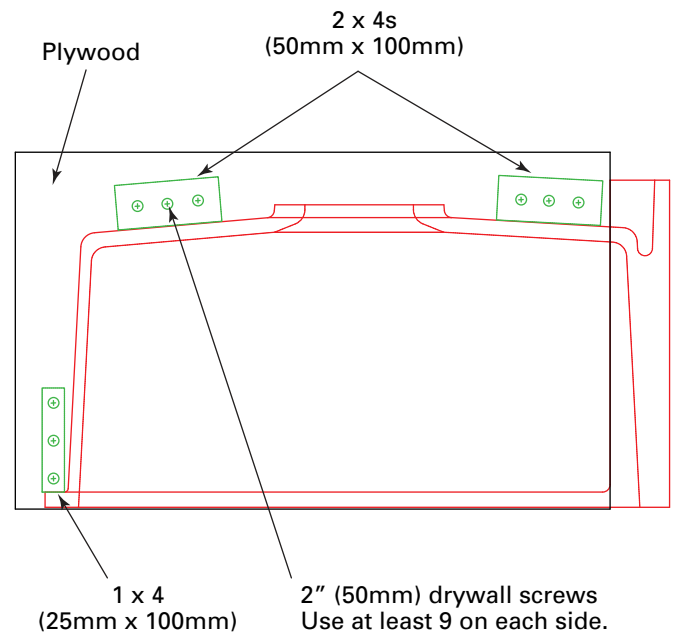


Figure C-7 Side view of sink and cradle

## DUPONT™ CORIAN® FARM SINK (MODEL 690) INSTALLATION

Attach the cradle to the cabinet by applying a thin layer of construction adhesive to the inside walls and slide the cradle into position. Hold the cradle in place with spring clamps. Secure the cradle to the cabinet with 1" (25 mm) drywall screws.

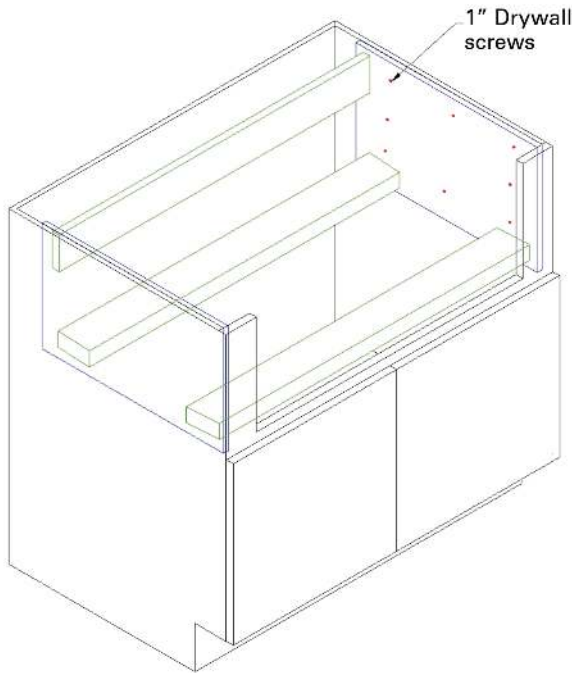


Figure C-8

Scrape off any excess construction adhesive.

### C.5. Sink Installation

Set the sink into the cabinet and check the fit. Make any modifications as needed.

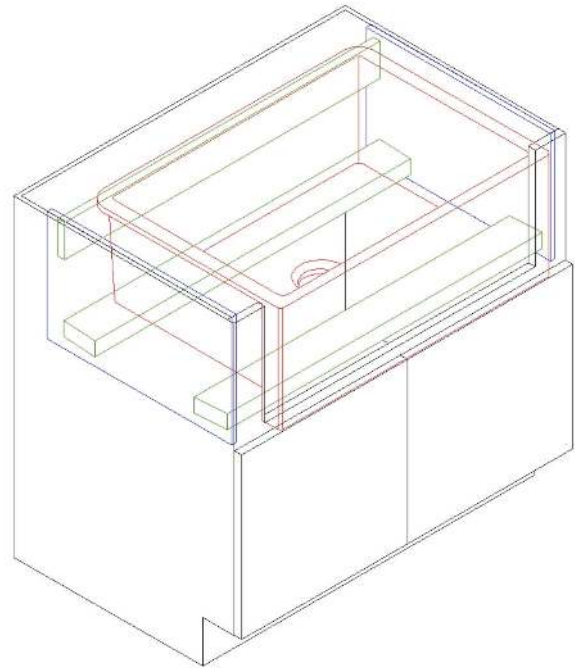


Figure C-9

Mark the sink at the transition where the countertop will cover the top flange and where the front apron will be exposed. Use a router with a roundover bit to remove the sharp edges of the front rim that will be exposed to the customer. Sand the rounded edges as needed.

**Remove the sink to prevent damaging the cabinet while routing and sanding.**

Put several dots of silicone on the 2 x 4s where the sink will sit. Set the sink in place and apply a bead of silicone to the top flange where it will be covered by the countertop.

Install the countertop and wipe any excess silicone that oozes from the flange.

Apply silicone sealant around the apron at the cabinet face. Wipe off excess silicone sealant and allow it to cure.

*This information is based on technical data that E.I. du Pont de Nemours and Company and its affiliates ("DuPont") believe to be reliable, and is intended for use by persons having technical skill and at their own discretion and risk. DuPont cannot and does not warrant that this information is absolutely current or accurate, although every effort is made to ensure that it is kept as current and accurate as possible. Because conditions of use are outside DuPont's control, DuPont makes no representations or warranties, express or implied, with respect to the information, or any part thereof, including any warranties of title, non-infringement of copyright or patent rights of others, merchantability, or fitness or suitability for any purpose and assumes no liability or responsibility for the accuracy, completeness, or usefulness of any information. This information should not be relied upon to create specifications, designs, or installation guidelines. The persons responsible for the use and handling of the product are responsible for ensuring the design, fabrication, or installation methods and process present no health or safety hazards. Do not attempt to perform specification, design, fabrication, or installation work without proper training or without the proper personal protection equipment. Nothing herein is to be taken as a license to operate under or a recommendation to infringe any patents. DuPont shall have no liability for the use of or results obtained from such information, whether or not based on DuPont's negligence. DuPont shall not be liable for (i) any damages, including claims relating to the specification, design, fabrication, installation, or combination of this product with any other product(s), and (ii) special, direct, indirect or consequential damages. DuPont reserves the right to make changes to this information and to this disclaimer. DuPont encourages you to review this information and this disclaimer periodically for any updates or changes. Your continued access or use of this information shall be deemed your acceptance of this disclaimer and any changes and the reasonableness of these standards for notice of changes.*

© E.I. du Pont de Nemours and Company 2012. All rights reserved.

The DuPont Oval, DuPont™, The miracles of science™, and Corian® are trademarks or registered trademarks of E.I. du Pont de Nemours and Company ("DuPont") or its affiliates. K-25716 8/12